

Excellence in design

Socket Series

SO1
SO2
SO3

SO1-US
SO1-US-2USB
SO1-US-SW
SO1-BS
SO1-BS-SW
SO1-SH
SO1-2USB
SO1-TO
SO1-DO
SO1-DVO



The Socket Series perfectly complements the Touch Panel and Key-pad Series switches. It's a discrete solution that neatly fits into any interior, thanks to its refined and uniform design.

The sockets are available in 1,2 and 3 gang versions.



Socket Series

SO1-US / SO1-US-2USB / SO1-US-SW / SO1-BS / SO1-BS-SW
SO1-SH / SO1-2USB / SO1-TO / SO1-DO / SO1-DVO

Product Specification



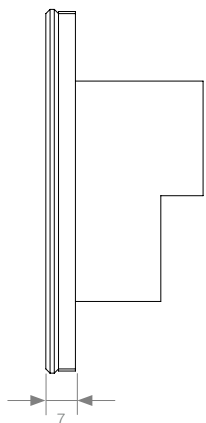
Product name	SO1-US	SO1-US-2USB	SO1-US-SW	SO1-BS	SO1-BS-SW	SO1-SH
Voltage	220V					110V~240V
Electric current	13A					
Dimensions (W x H x D, one gang)	86mm x 86mm x 7mm				86mm x 86mm x 63mm	



Product name	SO1-2USB	SO1-TO	SO1-DO	SO1-DVO
Dimensions (W x H x D, one gang)	86mm x 86mm x 7mm			

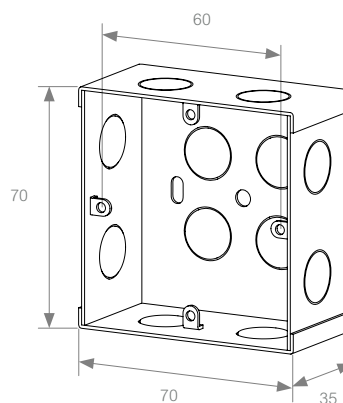
Product Dimensions

Side view (mm)



Required Back Box Dimensions

UK 3x3 Standard, Isometric view (mm)



Socket Frame

SO1 / SO2 / SO3

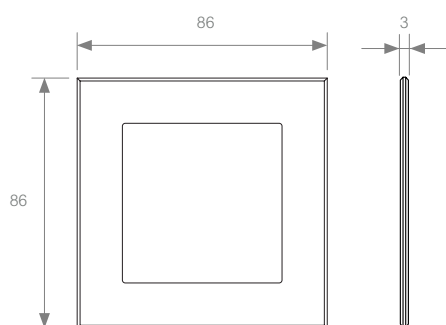
Product Specification



Product name	SO1	SO2	SO3
Dimensions (W x H x D)	86mm x 86mm x 3mm	172mm x 86mm x 3mm	258mm x 86mm x 3mm
Faceplate Options	Glass surface		

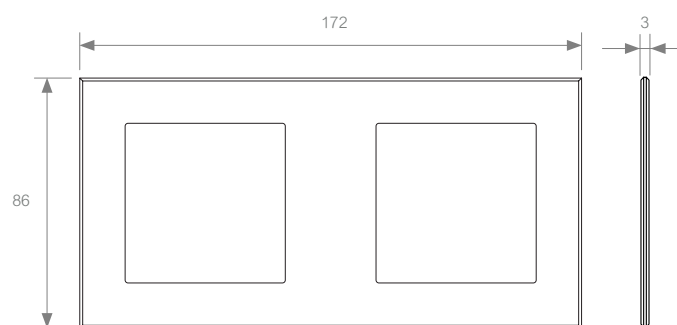
SO1

1 gang socket frame (mm, front and side view)



SO2

2 gangs socket frame (mm, front and side view)



SO3

3 gangs socket frame (mm, front and side view)

