



Powered by awareness

Sensor Series

**M-Sensor / -KNX/ -DALI / Multi
RealPresence+[®]
D-Sensor**

The Sensor Series allow to detect room presence with unprecedented accuracy.

Sensors help to save up to 40% on energy costs, increase staff efficiency and improve guest experience, while removing card holders from guest rooms.



Sensors

RealPresence+®

Product Specification



Product Name	RealPresence+®
Power Supply	VDC 24V ±20%, ≤1W
Physical Interface	RS-485
Communication Protocol	Modbus
Max Cable Length	100 m
Mounting	Magnetic
Warm Up Time	<30 seconds
Storage Temperature	-10...+60 °C
Operating Temperature Range	0 °C - +45 °C
Operating Humidity Range	30 ~ 85% RH non-condensing
Dimensions (Ø x D)	Ø109 x 30,75 mm
Weight	200 g
Case Material	ABS
Standard Color	White
Protection Level	IP32

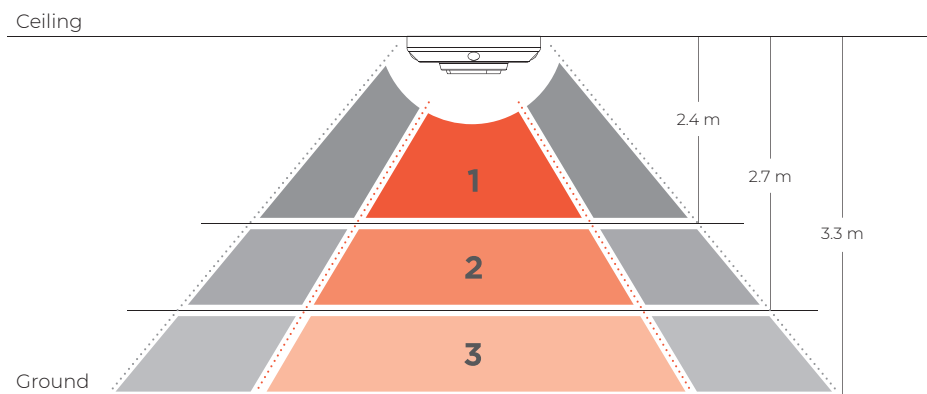
RealPresence+[®]

Occupancy Sensor



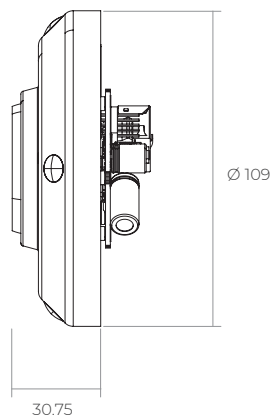
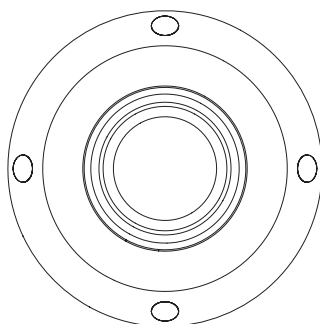
Product Detection Range Diagram and Dimensions

Top & Side views (mm)



Sensing diameter:

1.	2.	3.
Thermal trace: 3.12 m Motion: 8 m	Thermal trace: 3.46 m Motion: 8.56 m	Thermal trace: 4.21 m Motion: 10.4 m



Sensors

M-Sensor / -KNX / -DALI / Multi

Product Specification



Product Name	M-Sensor	M-Sensor-KNX	M-Sensor-DALI	M-Sensor Multi
Power Supply	VDC 24V ±20%, ≤1W	VDC 30V, ≤1W	VDC 16V ±40%, ≤1W	VDC 24V ±20%, ≤1W
Physical Interface	Dry Contact	KNX TP	DALI	Dry Contact
Communication Protocol	-	KNX	DALI	-
Max Cable Length	-	Depending on KNX topology	300 m	-
Sensor Responsivity	4000 V/W			
Mounting	2 metal springs on 52 mm punch hole			
Warm Up Time	15 seconds			
Storage Temperature	-10...+60 °C			
Operating Temperature Range	0 °C - +45 °C			
Operating Humidity Range	30 ~ 85% RH non-condensing			
Dimensions (Ø x D)	Ø66 x 91 mm			
Weight	150 g			
Case Material	ABS			
Standard Color	White			
Protection Level	IP32			

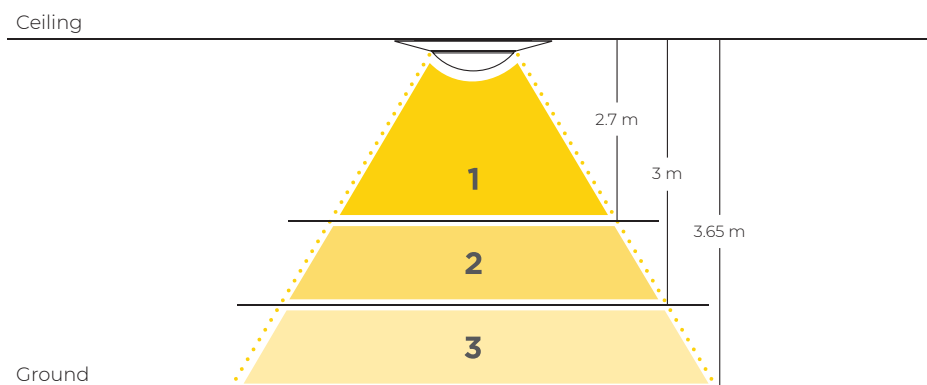
M-Sensor / -KNX / -DALI / Multi

Motion Sensor



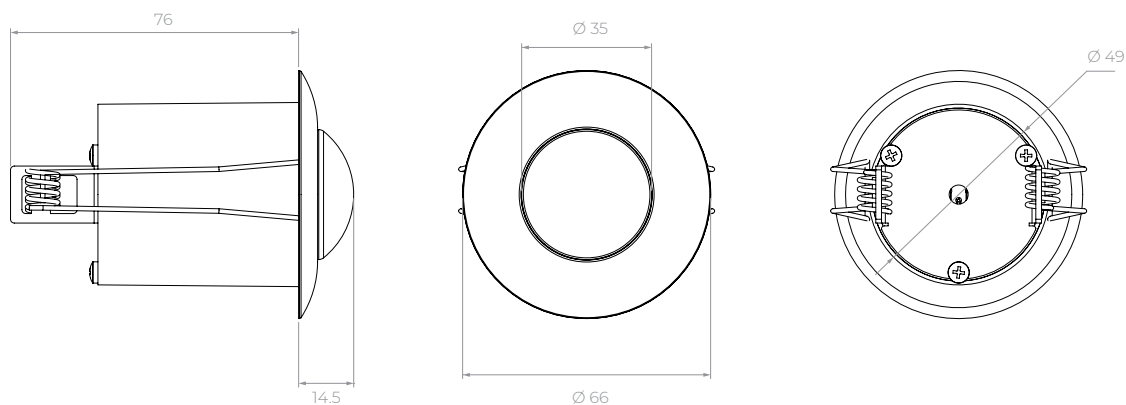
Product Detection Range Diagram and Dimensions

Top & Side views (mm)



Sensing diameter:

1.	2.	3.
Motion: 8 m	Motion: 8.56 m	Motion: 10.4 m



Sensors

D-Sensor

Product Specification



Product Name	D-Sensor
Product Type	Magnetic Contact
Contact Type:	NC
Detection Distance	28mm
Mounting	Recessed
Connection Type	Wired
Max Cable Length	250 mm
Communication Protocol	-
Storage Temperature	-10...+60 °C
Operating Temperature Range	0 °C - +45 °C
Operating Humidity Range	30 ~ 85% RH non-condensing
Dimensions (Ø x D)	Ø11.8 x 24.5 mm
Weight	11 g
Case Material	ABS
Standard Color	White
Protection Level	IP67

D-Sensor

Door Sensor



Product Dimensions

Top & Side views (mm)

