



Excellence in design

Socket Frames

The Socket Frames perfectly complements the Touch Panel and Keypad Series switches. It's a discrete solution that neatly fits into any interior, thanks to its refined and uniform design.

The frames are available in 1, 2 and 3 sockets versions.



Socket Frames

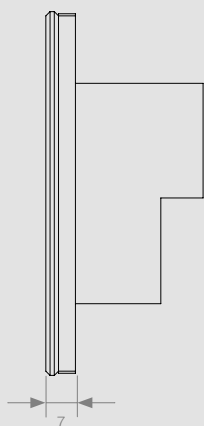
Product Specification



Product Type	1 Socket Frame	2 Sockets Frame	3 Sockets Frame
Dimensions (W x H x D)	86 x 86 x 3 mm	172 x 86 x 3 mm	258 x 86 x 3 mm
Faceplate Options	Glass surface		

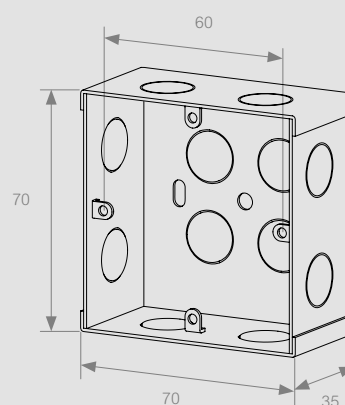
Product Dimensions

Side view (mm)



Required Back Box Dimensions

UK 3x3 Standard, Isometric view (mm)

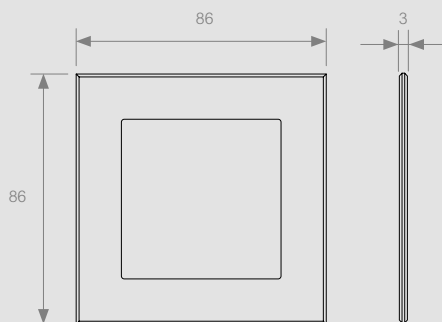


* Back box depth must comply with specific installed socket (shaver, ethernet plug, phone plug, USB ports, etc.)

Socket Frames

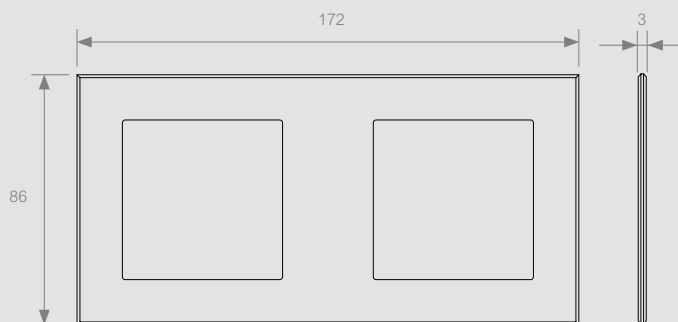
1 Socket Frame

Front and side view (mm)



2 Sockets Frame

Front and side view (mm)



3 Sockets Frame

Front and side view (mm)

